

Instructions for IV Infusion Using a Curlin® Pump

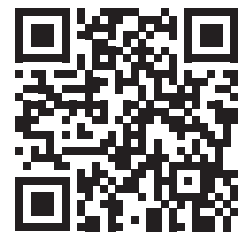
Supplies Needed for Infusion

- ✓ Medication bag with primed tubing already attached
 - Remove from refrigerator one hour before infusion
 - Do not microwave or put in warm water
 - Check the label on your medication bag to make sure the patient name is correct.
- ✓ Two (2) prefilled sodium chloride (0.9% Normal Saline) syringes
- ✓ One (1) prefilled Heparin syringe (if applicable)
- ✓ Alcohol or antiseptic wipes
- ✓ Curlin Pump
- ✓ Curlin tubing (if not already attached to bag)
- ✓ Two (2) C batteries (change batteries each time you start a new medication bag)
- ✓ Alcohol swab caps (if applicable)

Start Infusion

1. Clean work area. Wash hands thoroughly. Gather supplies.
2. Prepare your prefilled syringes for flushing your IV Catheter as instructed by your nurse.
3. If pump tubing is already attached to the medication bag, the tubing has been primed by the pharmacy. **Go to Step 6.**
4. If tubing is not already attached to the medication bag, remove the cover from the spike on the tubing and insert spike in the medication bag using a pushing-twisting motion. **Do not touch spike.**

Training Video Available!



Scan the QR code using the camera
on your smart phone or tablet to
watch a quick instructional video.

Instructions for IV Infusion Using a Curlin® Pump

5. Priming Tubing:

By Gravity:

- Twist and remove breakaway tab from YELLOW Flow-Stop.
- Squeeze YELLOW Flow-Stop between thumb and forefinger to allow fluid to flow through to end of tubing, then release.

By Pump: (Complete Step 6-9 first, then begin steps for priming on pump)

- Open any clamps on IV tubing
 - Press the **PRIME** key from the “RUN TO START” screen.
 - Press and hold the **PRIME** key until IV tubing is free of air and solution is at tip of tubing; release **PRIME** key to stop.
 - Press the **YES** key to exit priming.
6. Open the pump door on top of the pump.
7. Locate the **BLUE** and **YELLOW** arrows inside the pump as a reference point.
8. Insert the tubing using the reference points ensuring that the tubing passes through the notch in front of the door hinge.
9. Center tubing over pumping fingers, then close door securely. Be sure the top of the door is flush with the top of the pump.
10. Make sure all clamps are open on IV access line and scrub the injection cap on the end of your IV catheter with an alcohol/antiseptic wipe vigorously for 30 seconds and let air dry.

11. Attached a prefilled Sodium Chloride/Saline syringe to the injection cap of you IV catheter injection cap and flush with 10 ml using the push/pause method.
12. It is not necessary to scrub injection cap with alcohol swab again unless the end cap comes in contact with a surface or touches skin.
13. Remove the protective cap from the end of the CURLIN tubing and attach tubing to the injection cap on the end of your IV catheter. **Do NOT touch the end of the tubing.**
14. Turn pump on by pressing the **ON/OFF button** located on top left side of keypad, pump will beep three (3) times once it has completed powering up.
15. Select **Program** and press (enter) **YES**
16. Select **Repeat RX** and press (enter) **YES**
17. Press **RUN**.

Note: After a short time, the display turns itself off to save power, but the green light will continue blinking to indicate the pump is running. To reactivate display screen, press any button on the key pad.

Instructions for IV Infusion Using a Curlin® Pump

Stop Infusion

18. When the infusion is completed, the pump will alarm, press the **Run/Pause key** to silence the alarm, then turn the pump off by pressing the **ON/OFF button**.
19. Close the clamp on the pump tubing. Disconnect the IV tubing from IV catheter.
20. Cleanse the injection cap with alcohol for 30 seconds and allow to dry, then flush with Sodium Chloride/ Saline syringe as directed by your nurse.
21. Cleanse the injection cap with alcohol for 30 seconds and allow to dry, then flush with Heparin (if applicable) as directed by your nurse.
22. Apply alcohol swab cap to end of Injection cap if not hooking up a new bag.
23. **If hooking up a new bag, change batteries in pump, and repeat steps 1-18.**

Changing Batteries:

24. Locate the battery door on the back of the pump. Open the door by sliding the gray bar to the right to the "UNLOCK" position.
25. Remove the battery door by pulling the door outward.
26. Remove the used batteries and discard as instructed by nurse.
27. Insert the new batteries, flat bottom side first and insert 1 battery at a time.
28. Replace the battery compartment door and lock the door by sliding the gray bar left to the "LOCK" position.

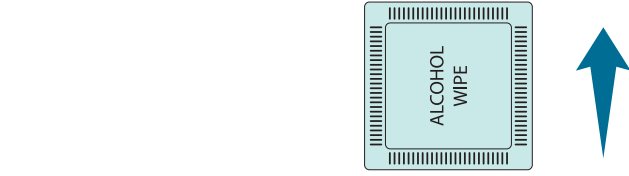


NOTE: All syringes with needles and glass vials should be disposed of in your sharps container. All remaining used supplies and waste can be bagged and disposed of in your household garbage.

SASH TEACHING GUIDE

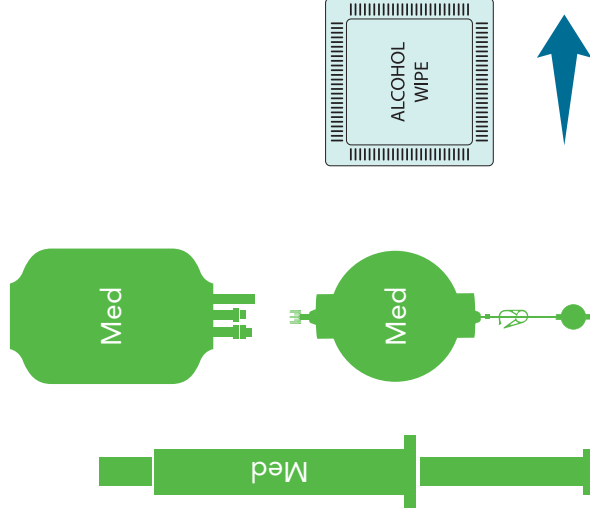
S

Saline



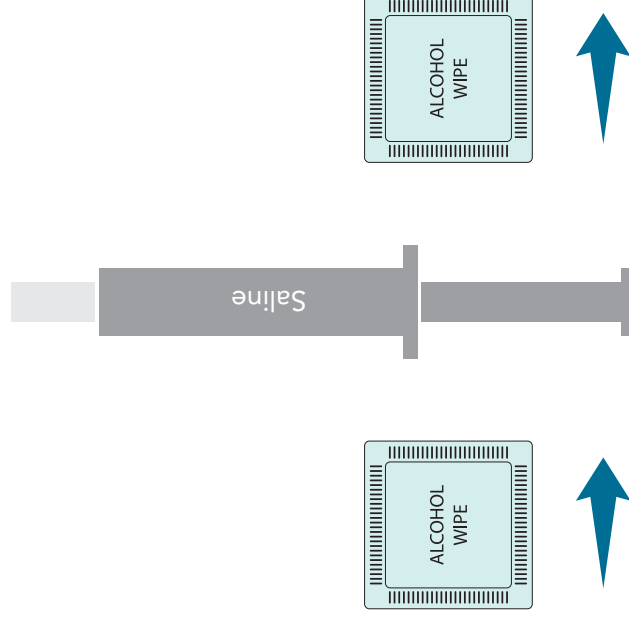
A

Administration
of Medicine



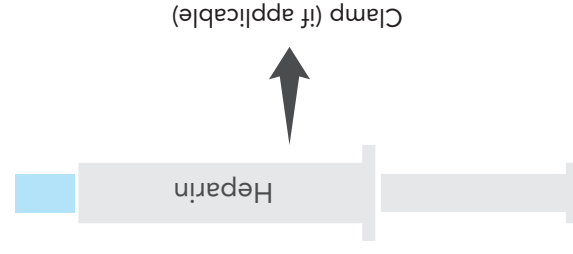
S

Saline



H

Heparin
(if ordered)



REMEMBER TO

- Use a new alcohol wipe for each step and scrub for at least 30 seconds.
- Clean your hands thoroughly using antibacterial soap and warm water. If no soap and water is available, use an alcohol-based hand sanitizer.
- If required, remove medication from refrigerator prior to use. Refer to medication label for required time.



COMMUNITY MERCY
Home Care & Pharmacy Services